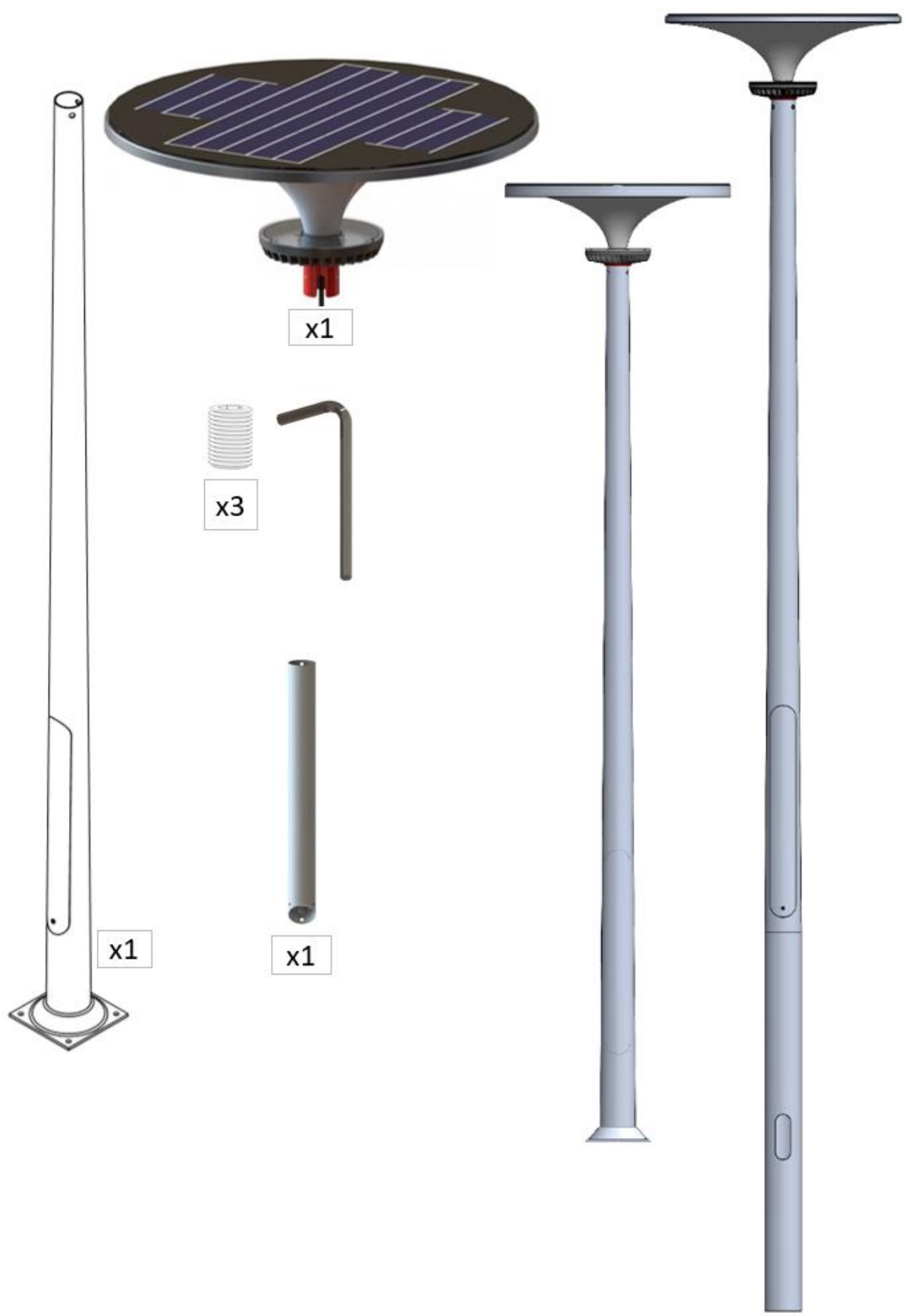
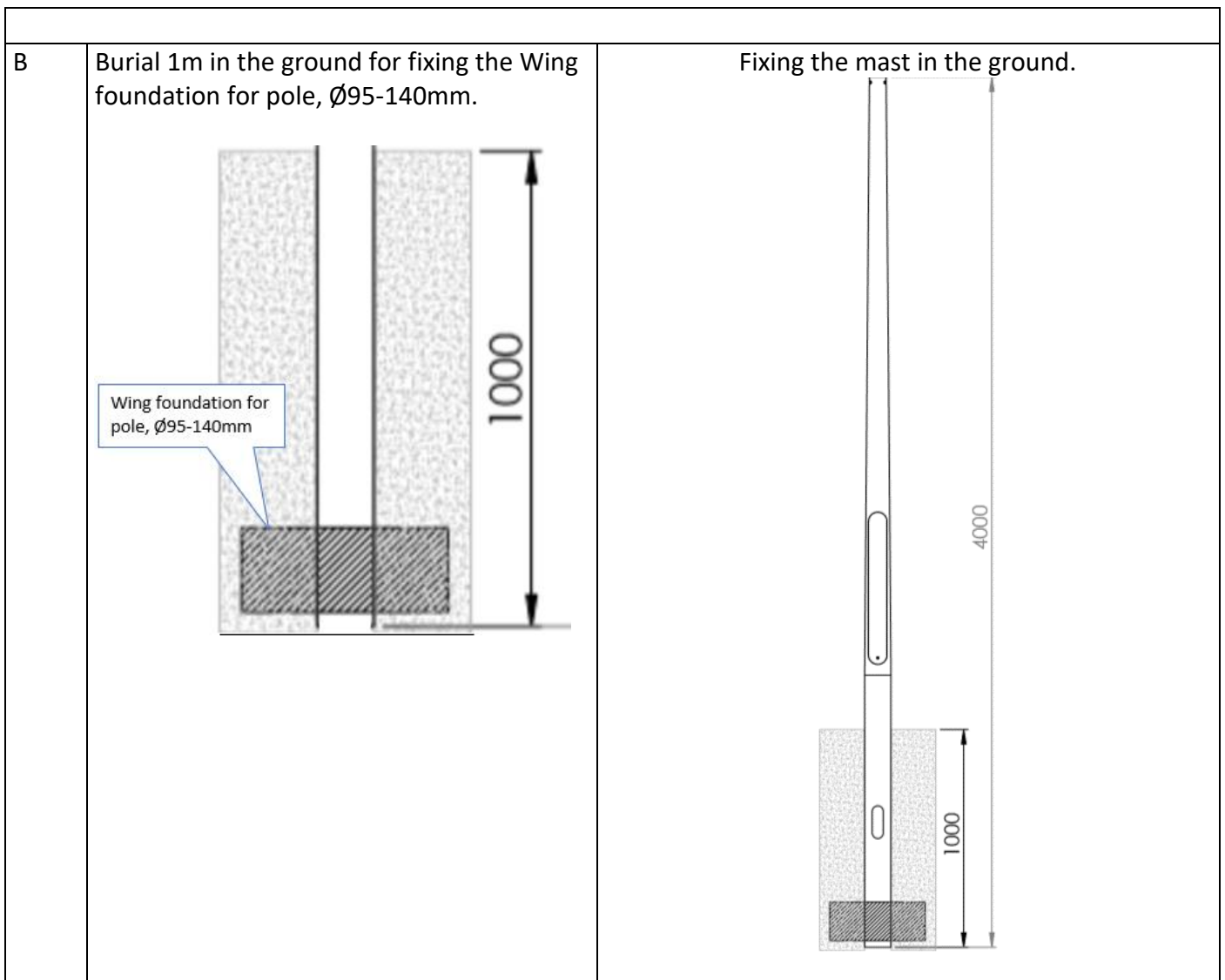
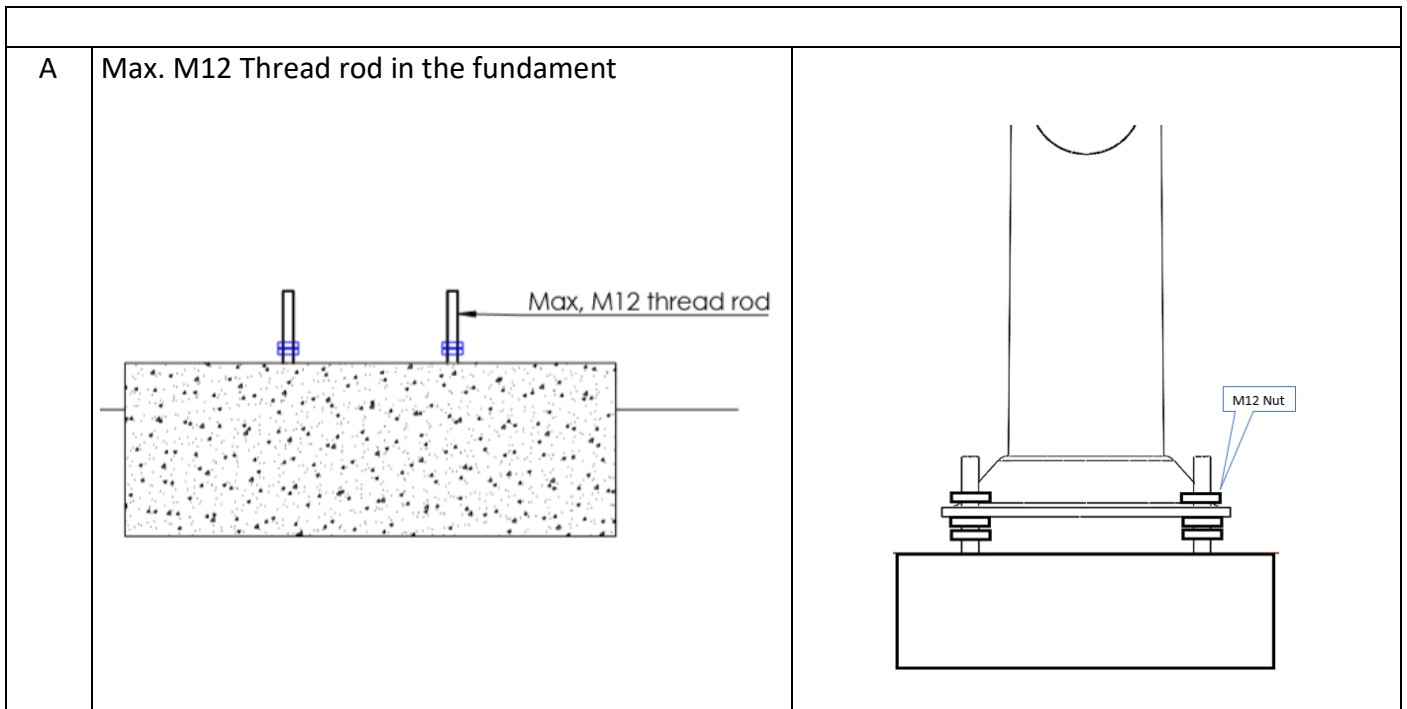



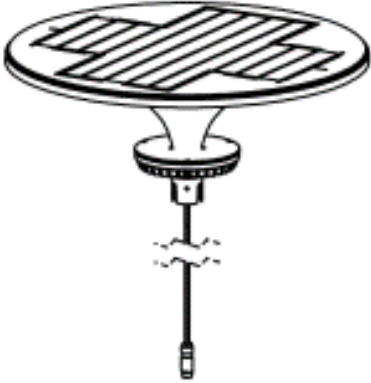

Asima  
Sun Mast



# 1-Mast Fastening



**2-** Joined the lamp cable with the battery.

Battery	Lamp cable	
		

**3-** After 30 seconds to 5 minutes, the lamp head will blink 4-5 times to indicate that it is ready.

**4-** Install lamp head on base. Tighten socket screws.

